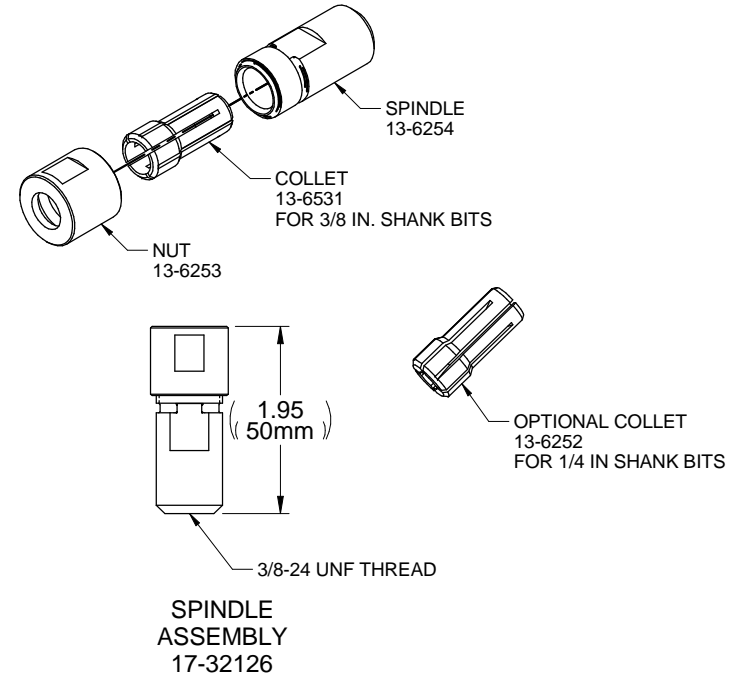
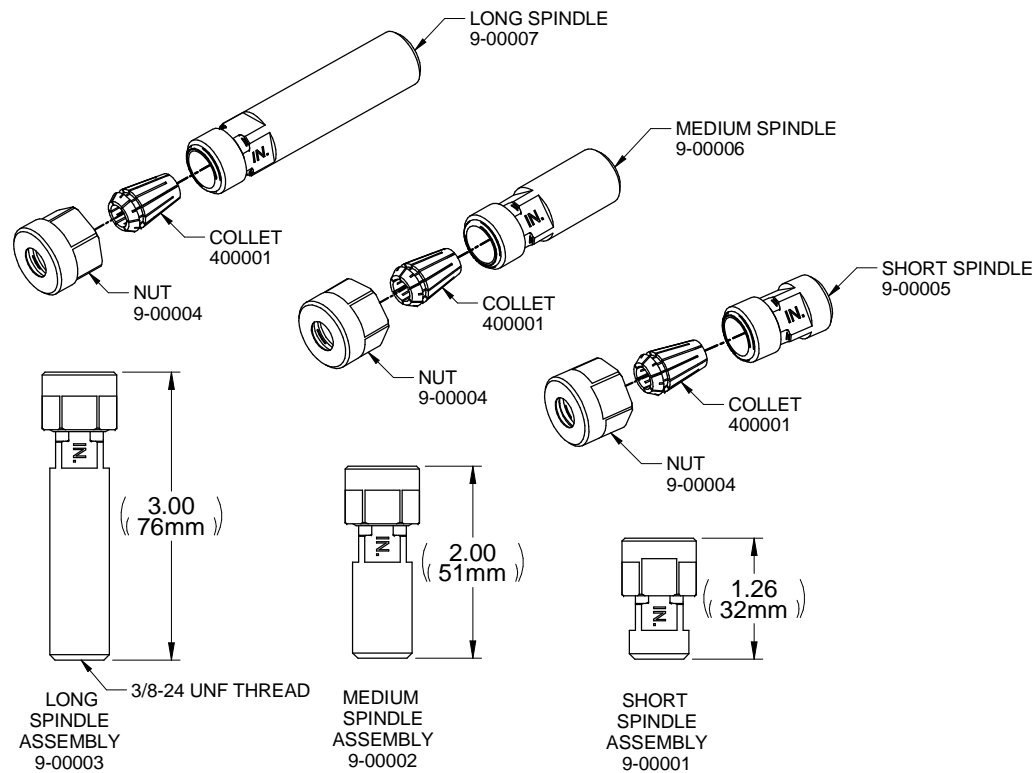


# SPINDLES-AIR ROUTERS

**NOTE:**

1. TO INSERT COLLET INTO NUT, PUSH TOGETHER TILL COLLET CLIPS IN NUT.
2. TO REMOVE COLLET FROM NUT, TILT COLLET SIDE TO SIDE AND IT WILL COME FREE.
3. TO CHANGE ROUTER BITS, LOOSE NUT SUFFICIENTLY TILL IT CAUSES THE COLLET TO RELEASE THE ROUTER BIT.


**IMPORTANT:** NEVER SCREW NUT ONTO SPINDLE UNLESS COLLET IS PROPERLY SEATED IN NUT.



## 17 SERIES COLLETS

ACCEPTS 3/8 IN SHANK BITS

**CSA COLLETS**  
ACCEPTS 1/4" AND 6mm  
SHANK ROUTER BITS

TITLE: SPINDLE ASSEMBLYS - AIR ROUTERS		REV ORG	ECN N/A	DSGN TRY	DRFT JEH	APVD TRY	DATE 12/6/16
 <p>Tolerances Inches Unless Noted Decimal: X.XXX ± 0.005 X.XX ± 0.010 Fractional: ± 1/64 Angular: ± 30'</p>		NEXT ASSEMBLY:					
		PART NUMBER: <b>21-55201</b>					